

sima®

Speaker Selectors Models SSW-4 HP and SSW-6 HP

User Manual



SSW-4 HP (bottom) and SSW-6 HP (top)

Table of Contents

Important Safety Precautions	2
What's Included	2
Introduction	3
Front Panel.....	3
Rear Panel	3
Typical Hook up	4
Installation Tips.....	4
Installation	4
Operation.....	5
Trouble Shooting	5
Technical Specifications.....	5
Limited Warranty	5

Important Safety Precautions

When using this product, basic safety precautions should always be followed to reduce the risk of fire and electric shock, including the following:

- Read and understand all instructions.
- Follow all warnings and instructions marked on this product.
- Do not use liquid or aerosol cleaners. Use a damp cloth for cleaning.
- To prevent fire or shock hazard, do not expose this product to rain or moisture. Do not use near a bath tub, wash bowl, sink, or laundry tub; do not use in a wet basement or in a swimming pool.
- To avoid electrical shock, do not open the case of this product.
- The unit should be situated away from heat sources such as radiators, stoves, etc.

What's Included

- 1 – SSW-HP Speaker Selector
- 1 - This instruction manual

Date Purchased: _____ **Model:** _____

©2004 by Sima Products Corp.

All rights reserved. No part of this publication may be reproduced or transmitted in any form or by any means without prior written permission from Sima Products Corp.

Introduction

The Sima speaker selector series has been designed to let you add speakers around your home or office while maintaining a central control. Turn them on and off and adjust the volume without requiring additional amplifiers.

The Sima speaker selectors have the following features:

- Ability to add up to 4 (SSW-4 HP) or 6 (SSW-6 HP) speaker pairs to your amplifier
- Left and right “commons” are isolated to work with all types of amplifiers
- Protection for amplifier.
- Small size to fit with any system
- No power required for operation
- Easy installation
- Can handle up to 120 watts amplifier power.

Front Panel

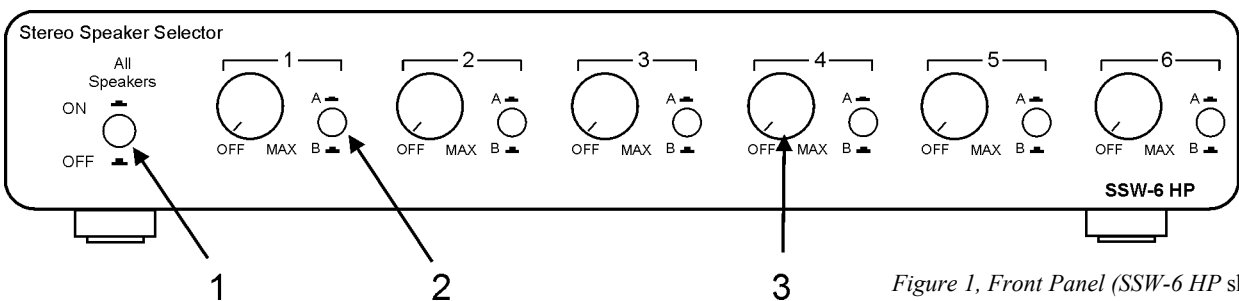


Figure 1, Front Panel (SSW-6 HP shown)

Controls

1. **Speakers on/off** - Press button in to turn on all speaker pairs. Press again (button out) to turn off.
2. **Amplifier selector** – Press button in to select amp A. Press again (button out) to select amp B
3. **Volume control** – An 11-step volume control for each speaker pair.

Rear Panel

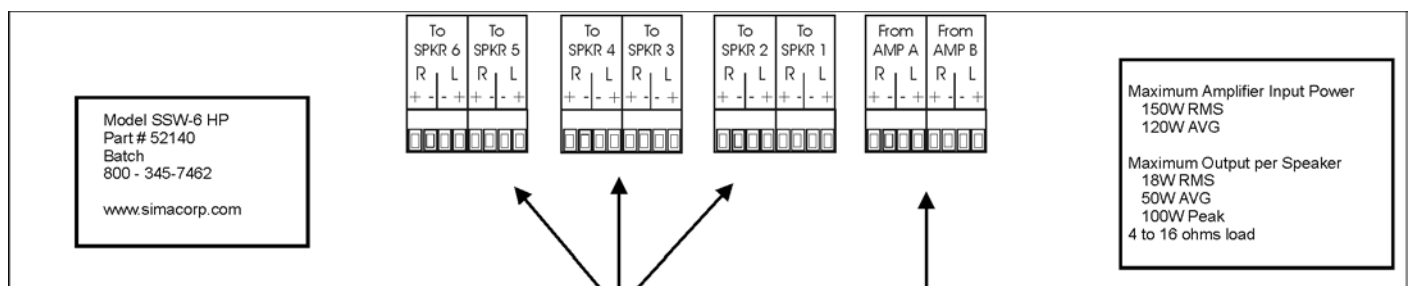


Figure 2, Rear Panel (SSW-6 HP shown)

4. **Speaker Connections** - Connect your speakers to these terminals
5. **Amplifier Connections** – connect the speaker output of your receiver or amplifier (120 watts rms). Amplifier B optional

Note: Be sure to align the pins on the terminals with the removable connector blocks correctly. Do not shift over 1 pin.

Typical Hook up

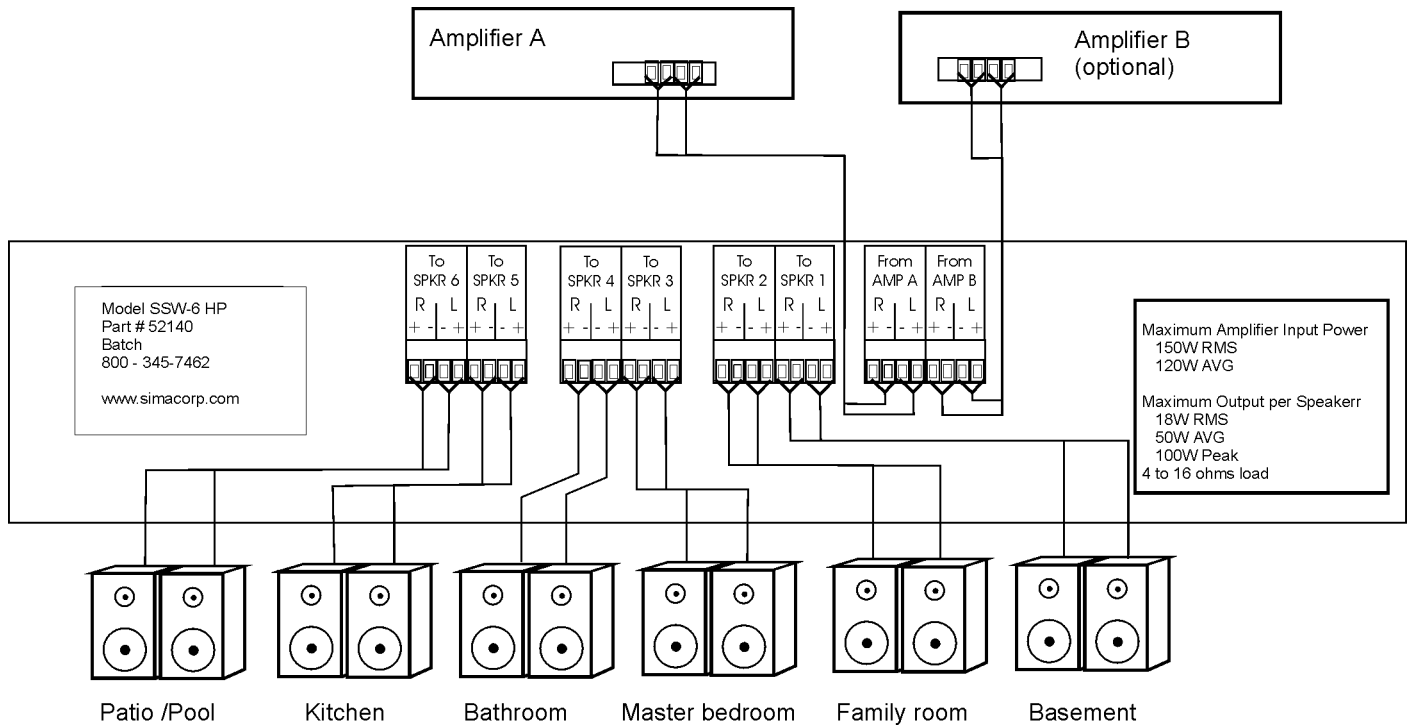


Figure 3, Overview of typical system hook-up. (SSW-6 HP shown)

Installation Tips

- It is recommended to use 18 or 16 AWG gauge stranded wire. For runs longer than 50', 14 gauge is recommended.
- You can mix 4, 6, 8 and 16 ohm speakers.
- Since speakers have different efficiencies, more efficient speakers will sound louder than less efficient speakers. Either select your speakers to have the same efficiencies (a typical measurement is 90 db/watt) or add a speaker volume control between the SSW-4/6 HP and the speaker in the room where the speaker is located.
- Wire according to state and local laws. Most places require that you use special in-wall speaker wire with a specific "CL" fire rating. Consult your dealer about obtaining such wire.
- Keep the speaker wiring from running close to AC power wiring for safety and to avoid any noise pick up.

Installation

Make sure your receiver or power amplifier is turned off before doing any wiring

- To make a connection, using a wire stripper, strip 3/8" of insulation from the end of the wire. To avoid short circuits and possible amplifier damage, do not strip too much insulation from the wire.
- Tightly twist the end of the wire so that there are no frayed wires.
- For wiring convenience, connectors unplug from the connector block. Verify that there are no wire frays.
- Insert wire and tighten the terminal screw using a small screwdriver. Connect the wires from the speaker output from your receiver or amplifier to the SSW-4 or 6 HP terminals marked AMPLIFIER. Pay attention and connect the "+" output from the right front output on the amplifier to the right "+" input on the SSW-4 or 6 HP and connect the "-" output from your amplifier to the "-" input on the SSW-4 or 6 HP. Likewise, connect the left channel wires to the left input of the SSW-4 or 6 HP.
- Next, connect the wires from each of the speakers to the corresponding connection on the SSW-4 or 6 HP.
- If you are using a second amplifier, connect it to the AMP B terminal.
- Plug connectors back into the unit. Warning: Be sure connectors are plugged in correctly – do not shift over one pin.

Operation

Initial connection

It is recommended that you select only one speaker pair in the same room you are in for initial turn on. Select this speaker pair and turn on your receiver/amplifier. Make sure sound is coming from both speakers. Before you turn on additional speakers, read the information below.

Level Controls

Turning the level control fully counter-clockwise to the OFF position will turn that speaker pair off. Turning the level control clockwise will increase the volume in approximately 3 db steps.

Note:

Refer to your amplifier or receiver's user manual or on the rear panel of the amplifier to determine the minimal speaker impedance that your amplifier can handle.

Trouble Shooting

Problem	Solution
No sound	Make sure correct speaker is selected. Make sure correct amplifier is selected. Make sure no wires are touching each other or the case of the amplifier or SSW-4 or 6 HP selector. Make sure the connectors are plugged in correctly.
Unit gets hot	Reduce volume level of amplifiers Turn unused speakers off.

Technical Specifications

Input

150 watts per channel max – 120 watts rms
4 Speaker pairs (SSW-4 HP), 6 Speaker pairs (SSW-6 HP)
4 to 16 ohm impedance

Protection Circuit

Amplifier Protection: Auto transformer

Wire gauge

14 to 22 gauge

Size: 17" wide, 7.5" deep, 3.25" high

Weight: Approx. 7.5 lbs (4 HP) 9.2 lbs. (6 HP)

Supplied accessories

User Manual (this document)

Limited Warranty

Limited Warranty

Sima Products Corp. ("Company") warrants that if the accompanying product proves to be defective to the original purchaser in material or workmanship within 90 days from the original retail purchase, the Company will, at the Company's option, either repair or replace same without charge (but no cash refund will be made).

What you must do to enforce Warranty

You must deliver, mail or ship the product, together with both the original bill of sale and this limited Warranty statement as proof of warranty coverage to:

Sima Products Corp.,

Attn: Customer Service,

140 Pennsylvania Ave., Bldg. #5,

Oakmont, PA 15139

It is recommended that you contact Sima to obtain a return authorization number.

Limitation of Liability and Remedies

Sima shall have no liability for any damages due to lost profits, loss of use or anticipated benefits, or other incidental, consequential, special or punitive damages arising from the use of, or the inability to use, this product, whether arising out of contract, negligence, tort or under any warranty, even if Sima has been advised of the possibility of such damages. Sima's liability for damages in no event shall exceed the amount paid for this product. Sima neither assumes nor authorizes anyone to assume for it any other liabilities.

Some states do not allow the exclusion or limitation of incidental or consequential damages, so the above limitation or exclusion may not apply to you.

This warranty gives you specific legal rights, and you may also have other rights which vary from state to state.

sima[®]

Sima Products Corp.

140 Pennsylvania Ave., Bldg. #5

Oakmont, PA 15139 USA

412-828-3700, 800-345-7462

412-828-3775 FAX

Visit us at www.simacorp.com

E-mail us at custserv@simacorp.com

Manual # PN21702