

sima.

VIDEO COPYMASTER

Automatic Video Enhancer and Duplicator

Model SED-CM

Instruction Manual

The Sima CopyMaster (Model SED-CM) will automatically enhance the quality of the home video you are duplicating.

This CopyMaster should be connected between your playback camcorder or VCR and the recording VCR as show in Figure 1. Only the video cables are to be connected to the CopyMaster. The audio cables should be connected directly between the playback and recording units. If you are using equipment with Hi-8 or S-VHS capability, connect your S-Video cables to the CopyMaster.

The CopyMaster can also give your home videos an old time look by eliminating the color and creating black and white video. Slide the switch from color to B/W to achieve this effect.

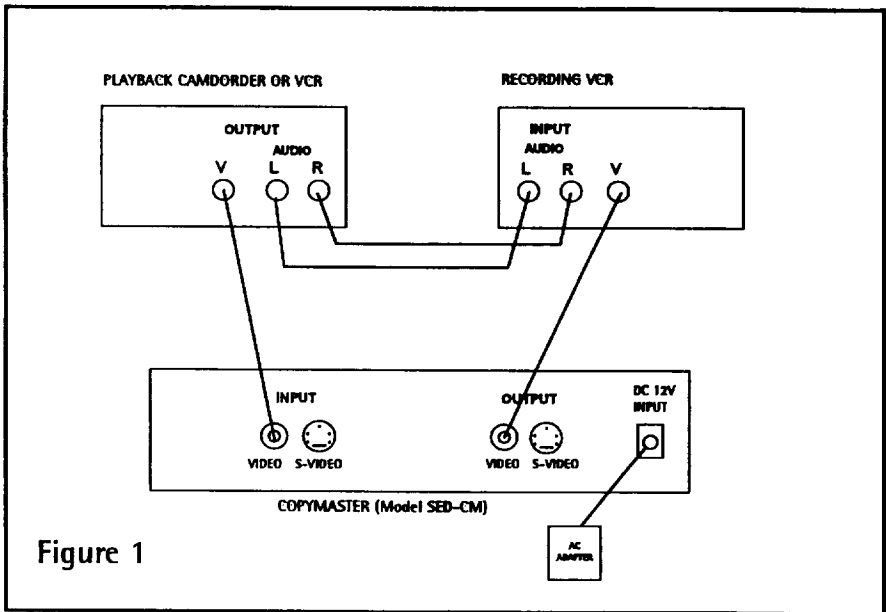


Figure 1

Note on AV Modes:

All VCR's have at least one AV mode, many have more than one. There will be a switch or button on the VCR that will toggle between the Tuner Mode and the AV Mode. VCR manufacturers call the AV Mode different names—External Mode, Auxiliary Mode or Line Input. These can be abbreviated to EXT., AUX. or L1, L2, etc. If in doubt, consult the VCR's user manual.

This CopyMaster Includes:

- 1 CopyMaster Unit (Model SED-CM)
- 1 300 ma 12V AC Adapter
- 2 Video Connection Cables
- 1 Instruction Manual

NOTICE

Use of this product for unauthorized duplication of copyrighted material from DIVX, DVD, VHS or other media is prohibited under federal copyright laws unless the copy qualifies as a fair use under the Copyright Laws.

TROUBLESHOOTING HINTS

No Picture

- Is connection OK?
- Has correct mode (AV, Line, Tuner, etc.) been set on the VCR?
- Correct connecting cable?
- Have phono plugs been mixed up at the input and output of the VCR?

Device does not operate

- Is there AC power?
 - Is the connecting cable of the plug-in AC adapter damaged?
-

INFORMATION

This equipment generates and uses radio frequency energy and if not installed and used properly, that is, in strict accordance with the manufacturer's instructions, may cause interference to radio and television reception. It has been type tested and found to comply with the limits for a Class B computing device in accordance with the specifications in Subpart J of Part 15 of FCC Rules, which are designed to provide reasonable protection against such interference in a residential installation. However, there is no guarantee that interference will not occur in a particular installation. If this equipment does cause interference to radio or television reception, which can be determined by turning the equipment off and on, the user is encouraged to try to correct the interference by one or more of the following measures:

- Reorient the receiving antenna;
- Relocate this equipment with respect to the receiver;
- Move this equipment away from the receiver;
- Plug this equipment into a different outlet so that this equipment and receiver are on different branch circuits.

If necessary, the user should consult the dealer or an experienced radio/television technician for additional suggestions. The user may find the following booklet prepared by the Federal Communications Commission helpful: "How to Identify and Resolve Radio-TV Interference Problems." This booklet is available from the US Government Printing Office, Washington, DC 20402, Stock No. 004-000-00345-4.

90 DAY LIMITED WARRANTY

Sima Products Corporation warrants this product against defects in materials and workmanship for a period of 90 days from the date of purchase. During the warranty period, the product will be repaired or replaced, at Sima's option. Mail the enclosed product registration card within ten days of original purchase.

CONDITIONS

1. Ship your unit, freight prepaid, including reasonable proof of date and place of purchase and description of problem to: Sima Products, 14 Pennsylvania Ave., Bldg. #5, Oakmont, PA 15139
2. This warranty is void if any defects are caused by abuse, misuse, negligence or unauthorized repairs.
3. All liability for incidental or consequential damages is specifically excluded. Some states do not allow the exclusion or limitation of incidental or consequential damages, so the above limitation or exclusion may not apply to you. This warranty gives you specific legal rights, and you may also have other rights which vary from state to state.

REPLACEMENT PARTS AVAILABLE FROM SIMA PRODUCTS:

DESCRIPTION	PART No.	
Output: 300ma 12V Input 120VAC Power Adapter	51401	
5' Video Cables	51755	
Audio and S-VHS Cables *	51841	

*not included,
but are available through Sima

sima.

Sima Products Corporation
140 Pennsylvania Avenue, Bldg. #5
Oakmont PA 15139
800-345-7462
www.simacorp.com
e-mail us at: custserv@simacorp.com