

Microphone care and handling

- Remember to turn off the microphone (use setting switch) to save battery power.
- Store in a clean, dry place. Avoid moisture, dampness or immersion in water.
- Avoid hitting or striking the top of the microphone.
- Do not blow directly into the microphone.
- Remember to remove the battery if the microphone will not be used for an extended period of time.

Troubleshooting Tips

SZM-2 does not work

1. May not be turned on.
Turn on by setting switch to Normal or Zoom.
2. May not be connected properly to camcorder or audio board. Check connections
3. Battery may be dead.
Replace if needed.

90 Day Limited Warranty from Sima Products Corporation

Sima Products Corp. ("Sima") warrants that if the accompanying product proves to be defective to the original purchaser in material or workmanship within 90 days from the original retail purchase, Sima will, at Sima's option, either repair or replace same without charge (but no cash refund will be made).

What you must do to enforce Warranty

You must deliver, mail or ship the product, together with both the original bill of sale and this limited Warranty statement as proof of warranty coverage to:

Sima Products Corp.
Attn: Customer Service
140 Pennsylvania Ave. Bldg. #5
Oakmont, PA 15139

It is recommended that you call Sima Customer Service at **800-345-7462** to obtain a return authorization number.

Limitation of Liability and Remedies

Sima shall have no liability for any damages due to lost profits, loss of use or anticipated benefits, or other incidental, consequential, special or punitive damages arising from the use of, or the inability to use, this product, whether arising out of contract, negligence, tort or under any warranty, even if Sima has been advised of the possibility of such damages. Sima's liability for damages in no event shall exceed the amount paid for this product. Sima neither assumes nor authorizes anyone to assume for it any other liabilities. Some states do not allow the exclusion or limitation of incidental or consequential damages, so the above limitation or exclusion may not apply to you. This warranty gives you specific legal rights, and you may also have other rights which vary from state to state.

sima®

140 Pennsylvania Ave. Bldg #5
Oakmont, PA 15139

800-345-7462 www.simacorp.com

©2004 Sima Products Corporation
PN21698

Model SZM-2 Zoom Microphone for use with Camcorder (camcorder not included)



sima®

Congratulations on your purchase of Sima's new Zoom Microphone, Model SZM-2. This high quality electret condenser microphone is designed for super-directive telescopic use with high sensitivity and extreme low noise. It can pick up a sound source clearly and naturally at both short and long distances, even in noisy environments. It has two custom sound/distance settings to maximize the audio effect you want to achieve. The SZM-2 is designed for outdoor sports broadcasts, stage, video and/or movie productions. It can be mounted on a camcorder, a tripod, a traditional stand or handheld.

This package contains:

- | | |
|----------------------|-----------------------------|
| 1 SZM-2 microphone | 1 Camera mount / mic holder |
| 1 Straight 25' cable | 1 User manual |
| 1 Coiled 2.5' cable | 1 Windscreen |



Settings - On the side of the SZM-2 is a switch that performs 3 functions.

1. Off (Remember to turn off before storing.)
2. Normal - a closer, wider audio range.
3. Zoom - a longer, narrower audio range.

Battery Slot

Bottom cover



Battery Installation

The SZM-2 requires 1 AA battery (not included). To install, unscrew the bottom cover and slide off. Insert the battery according to the markings inside. Replace cover before using.

Cables

The SZM-2 comes with a 2.5' coiled cable and a 25' straight cable. Each has a screw-on connector for connection to the SZM-2.



Mounting

The mounting handle includes an adjustable shoe mount that threads into the bottom. By removing the shoe mount, the handle will screw directly onto a standard microphone stand. With the shoe mount in place, the handle can either be screw-mounted onto a standard video tripod or mounted onto your camcorder.

Mic stand threads

Shoe mount with tripod threads

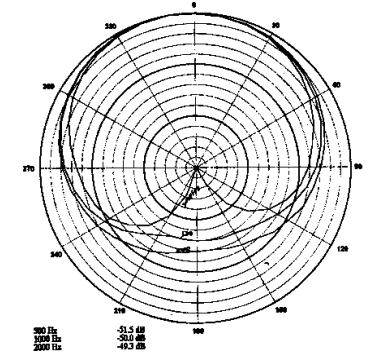
Operation

Install battery according to the polarity markings in the battery compartment.

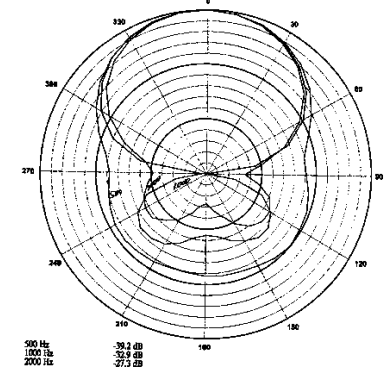
1. Connect the screw-on end of the cable to the bottom of SZM-2.
2. Slide mike holder on to camcorder and snap SZM-2 into holder. For best results, aim SZM-2 towards sound source.
3. Connect the other end to the camcorder or audio board as desired
4. Set switch to Normal or Zoom as desired. Turn off when finished.

Specifications

Type	Super Cardioid Electret Condenser
System	Switchable, uni-directional, variable range
Sensitivity	Normal: -70 dB (1V/ μ bar 1KHz) Zoom: -51 dB (1V/ μ bar 1KHz)
Freq. Response	80 Hz ~ 12,000 Hz
Output Impedance	560 ohm (normal) 2.3K (telescopic)
Power Source	DC 1.5 AA battery (not included)
Sound Pressure level	120 dB Maximum
Signal to Noise Ratio	40 dB or more
Accessories	Windscreen and mike holder
Battery life	500-2000 hours (alkaline – not included)



SZM-2 polar response in "Normal" mode



SZM-2 polar response in "Zoom" mode